

**Side Window Deflectors**

**Quick and Easy Installation Instructions**

**CONTENTS**

- (2) Venta-lators
- (2) alcohol pads
- (1) instruction sheet

**Important**

Read all instructions carefully before beginning installation. The ideal installation temperature is between 65°-110°F (18°- 43°C). The Venta-lators mount on the vent post and **TOP** edge of the door frame.

..... **Helpful Hint** .....

A trial fit is recommended to ensure proper positioning, since installing and then removing the Venta-lators will degrade the adhesive performance of the tape.

**Preparation**

**NOTE: It may be necessary to loosen the mirror bracket hardware to allow proper flange placement.**

**STEP 1**

Roll down the window. Clean the areas on the door frame and vent post where the deflector will mount with an alcohol pad. Then wipe dry with a clean cloth. See **FIGURE 1**

**STEP 2**

To reduce the risk of tape contamination due to improper positioning, expose only 2" (5cm) of tape from each end of the flange.

**Installation**

**STEP 3** Realign the Venta-lator with the precleaned locations on the door frame and check for proper placement. If applicable, check for proper clearance of vent window. Do not proceed until deflector is properly positioned. See **FIGURE 2**

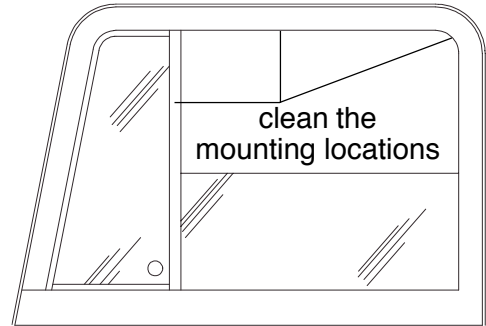
**STEP 4**

With the deflector in its final position, remove the remainder of the tape liner by pulling on the free ends. Press the entire flange to ensure proper adhesion of the tape to the door frame. See **FIGURE 3**

Repeat **STEPS 1-4** for opposite side deflector.

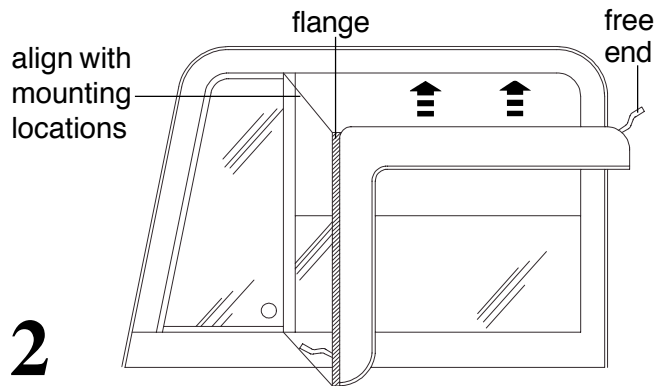
**NOTE:** Actual application may vary slightly from drawings.

**1**

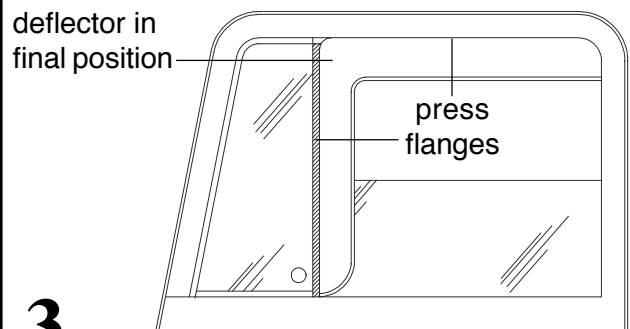


**NOTE:** To facilitate positioning, it may be necessary to pull the rubber window channel down.

**2**



**3**



**Venta-lators available for:  
Mack, Peterbilt, Kenworth, Freightliner,  
International, Volvo and other manufacturers.**