

## Side Window Deflectors

### Quick and Easy Installation Instructions

#### CONTENTS

- (2) Venta-lators
- (2) alcohol pads
- (1) instruction sheet

#### Important

Read all instructions carefully before beginning installation. The ideal installation temperature is between 65°-110°F (18°- 43°C). The Venta-lators mount on the **OUTSIDE** of the door frame.

..... Helpful Hint .....  
 A trial fit is recommended to ensure proper positioning, since installing and then removing the Venta-lators will degrade the adhesive performance of the tape.

#### Preparation

NOTE: It may be necessary to loosen the mirror bracket hardware and relocate the vertical mirror stabilizer bar to allow proper placement.

#### STEP 1

Roll down the window. Clean the areas on the door frame where the visor will mount with an alcohol pad. Then wipe dry with a clean cloth. See FIGURE 1

#### STEP 2

To reduce the risk of tape contamination due to improper positioning, expose only 2" (5cm) of tape from each end of the flange.

#### Installation

#### STEP 3

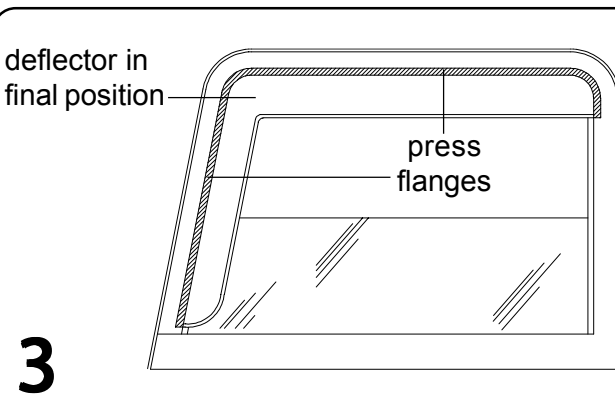
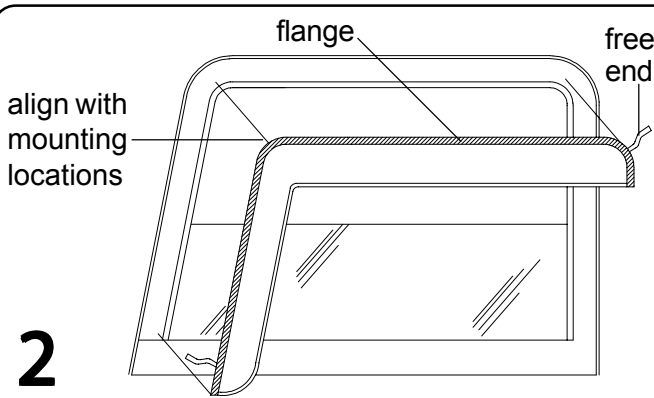
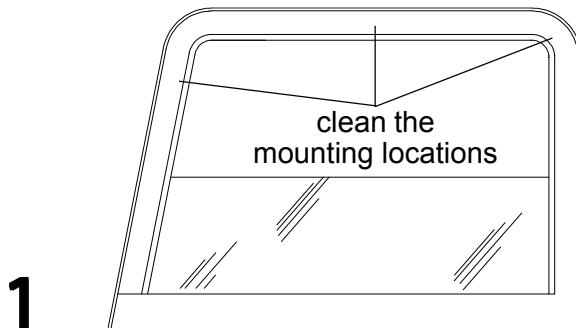
Realign the Venta-lator with the precleaned locations on the door frame and check for proper placement. Do not proceed until deflector is properly positioned. See FIGURE 2

#### STEP 4

With the deflector in its final position, remove the remainder of the tape liner by pulling on the free ends. Press the entire flange to ensure proper adhesion of the tape to the door frame. See FIGURE 3

Repeat STEPS 1-4 for opposite side deflector.

NOTE: Actual application may vary slightly from drawings.



**Venta-lators available for:  
 Mack, Peterbilt, Kenworth, Freightliner,  
 International, Volvo and other manufacturers.**